



Features

- On/Off output
- Electrical Rating 250Vac
- Switching pressure to be adjusted easy on a scaled adjustment knob
- Static, over, underpressure and vacuum
- IP54 protection

Technical Data

Output	on/off
Max. Operating Pressure	5kPa
Medium	Air, non-combustible and no-aggressive gases
Operating temp. range	-40 C to 85 C
Pressure connections	2 plastic pipe connection pieces(P1 and P2), external diameter 6.0mm; P1 for connection to higher pressure (marked +) P2 for connection to lower pressure(marked -)
Mounting position	Diaphragm in any vertical plane
Contact arrangement	SPDT
Tolerance	15%
Weight	140g
Electrical rating	
- Resistance	initial<400milliohms
- Current	1.5A (0.4A) /250 V
Protection	IP54
Approvals	CE

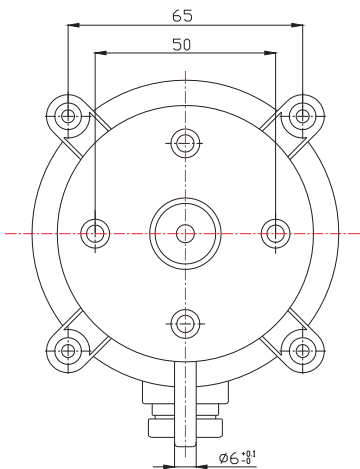
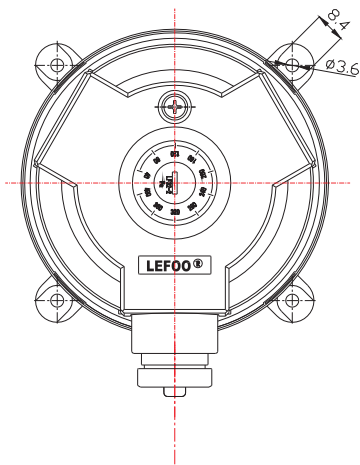
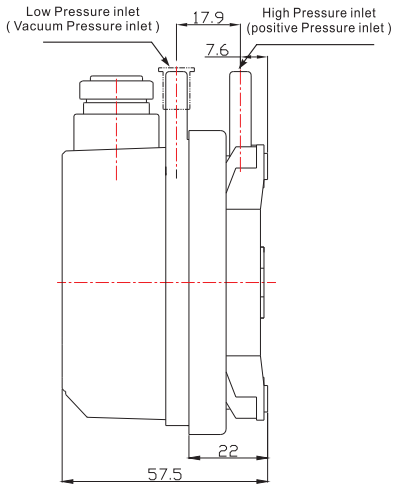
Can be delivered in 3 different alternatives

1. Only the pressure switch
2. The pressure switch separately packed and the duct fixing kit separately packed
3. The pressure switch and the duct fixing kit packed together in one small carton

Ordering

Type no.	Adjustment range	Switching differential
Air differential pressure switch		
LF32-02	20-200 Pa	10 Pa
LF32-04	40-400 Pa	20 Pa
LF32-10	200-1000 Pa	100 Pa
LF32-25	500-2500 Pa	150 Pa
Air differential pressure switch with duct fixing kit (DFK 200), packed together into a carton		
LF32-02A	20-200 Pa	10 Pa
LF32-04A	40-400 Pa	20 Pa
LF32-10A	200-1000 Pa	100 Pa
LF32-25A	500-2500 Pa	150 Pa
DFK 200	Duct fixing kit	

Dimensions (mm)



Options / Accessories

Duct fixing kit



The DFK 200 duct fixing kit includes:
2 Plastic tubes with integrated mounting plate
2 meter PVC hose and 4 screws

DPST Screw terminal



Electrical connection

